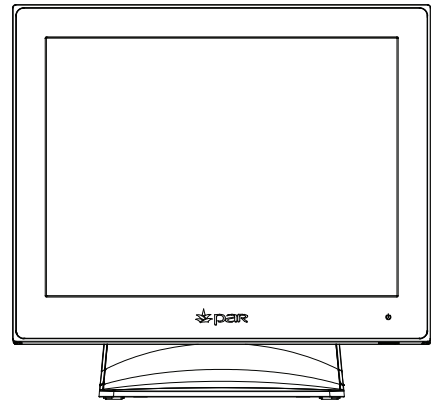


### THANK YOU!

Thank you for purchasing the EverServ 650/675. With technology specifically designed for your environment, your success is our passion.



**FOR PRODUCT INFORMATION AND FULL USER GUIDE VISIT:** <https://support.partech.com/>

### 1 EXAMINE THE SHIPMENT



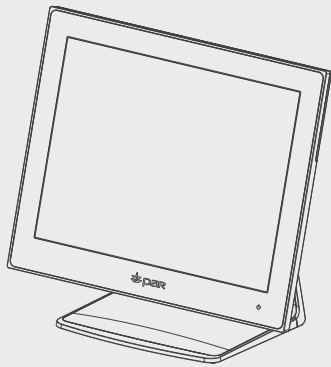
Please ensure all equipment is present.

Report any missing or damaged equipment to your PAR Salesperson or PAR Channel Partner.

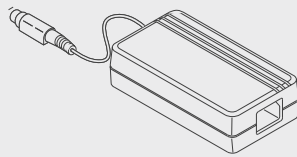


### 2 INVENTORY COMPONENTS

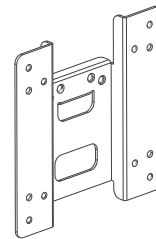
Ensure you have the items listed below in your order.



EverServ 650/675



Power Supply



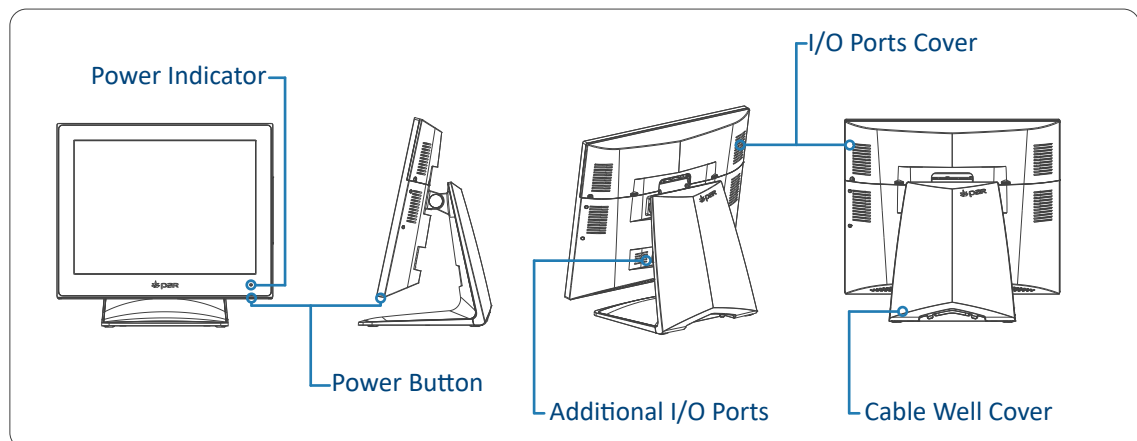
VESA Adapter Plate (K6150) Optional



Power Cord (Packaged Separately)

### REMOVING TERMINAL FROM BOX

Remove the terminal from the box by grasping the sides of the end caps and lifting up.



# ACCESSING THE I/O WELL & CONNECTING CABLES

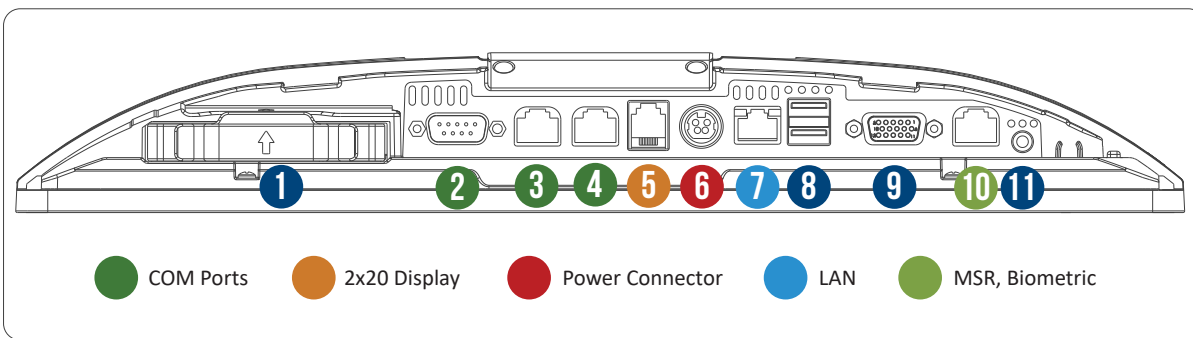
**1** Remove the stand cover by holding the terminal with one hand and pulling the bottom of the stand cover by the cover hooks.

**2** Remove the I/O cover by pressing the two tabs and pulling the cover straight up away from the terminal.

**3** Connect your cables in the designated I/O ports and then route through the terminal stand.

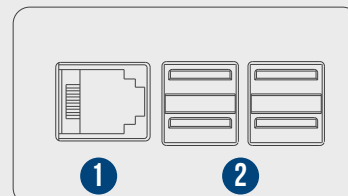
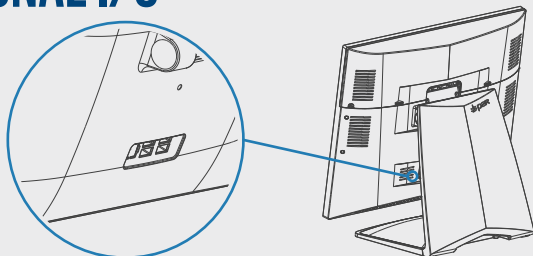
**4** Replace the I/O cover then the stand cover. The stand cover should be replaced by first connecting the top tabs then pressing on the bottom.

## MAIN I/O BOARD



<b>1</b> SSD	<b>7</b> LAN
<b>2</b> COM1 (DB9)	<b>8</b> USB 2.0
<b>3</b> COM 2 (RJ45)	<b>9</b> VGA
<b>4</b> COM 3 (RJ45)	<b>10</b> MSR
<b>5</b> 2x20 Display Only	<b>11</b> Audio
<b>6</b> Power Input	

## ADDITIONAL I/O



<b>1</b> Cash Drawer
<b>2</b> USB 2.0