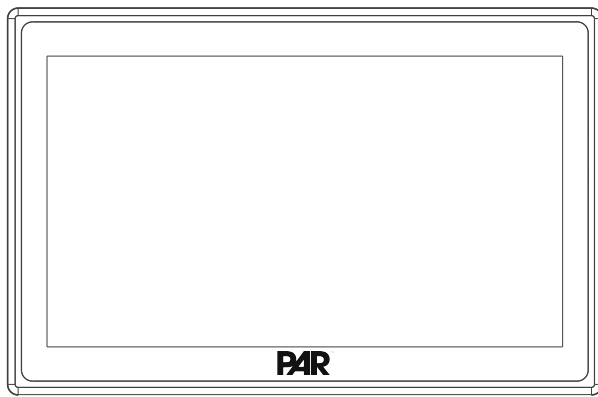


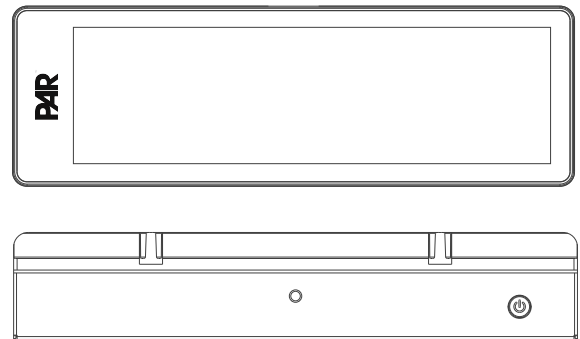
Thank You!

Thank you for purchasing the PAR Kitchen. With technology specifically designed for your environment, your success is our passion.

Monitor

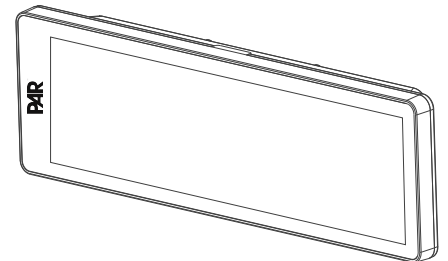
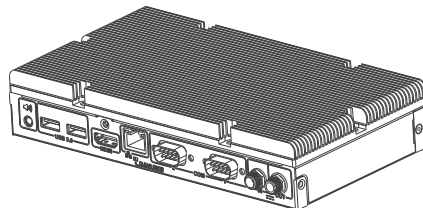
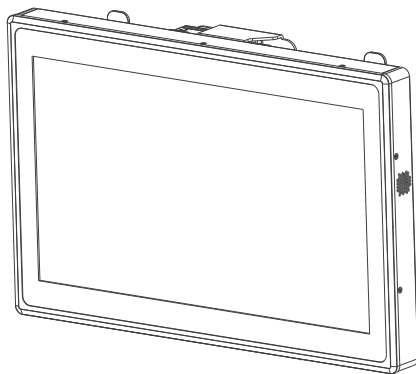


Bump bar



Controller

For Product information and full user Guide visit: <https://support.partech.com/>



This material has been created in order to accommodate a wide range of restaurant operations and your specific business practices and hardware configuration may differ slightly from what is represented in this material. While ParTech, Inc. (“PAR”) takes great care to ensure the accuracy of these materials, all material is provided “as is” without warranty of any kind, either express or implied, including, but not limited to, warranties of merchantability or fitness for a particular purpose. PAR does not make any warranties or representations that the materials will meet your requirements or that the operations of the hardware will be uninterrupted or error free.

Trademark Notices: The PAR™ logo is a trademarks of PAR Technology Corporation, the parent company of ParTech, Inc. or its affiliates. All other product names used throughout this material are trademarks of the respective companies as identified herein. No such use of any trademark is intended to convey endorsement or other affiliation with these companies.

Reproduction: Copyright © 2021 ParTech, Inc. All rights reserved. This publication, or any part thereof, may not be reproduced or transmitted in any form or by any means, electronic or mechanical, including photocopying, recording, storage in an information retrieval system, or otherwise, without the prior written permission of ParTech, Inc., PAR Technology Park, 8383 Seneca Turnpike, New Hartford, NY 13413-4991; Phone: (315) 738-0600.

Table of Contents

Safety	Page 4
Specifications	Page 5
Monitor	Page 6
Hanger Kit	Page 7
Controller	Page 9
Bump Bar	Page 11

Service & Support

For service and support after installation or to report any missing or damaged equipment, contact your PAR Sales Representative.



CAUTION BATTERY WARNING: A lithium coin-type battery (CR2032) is installed on the KDS controller motherboard. If this battery is replaced, it must be replaced with an equivalent battery type. Dispose of the used battery according to the local disposal instructions.

ATTENTION AVERTISSEMENT RELATIF AUX PILES: Une pile au lithium est installée sur la carte mère du contrôleur KDS. Si cette batterie est remplacée, elle doit être remplacée par un type de batterie équivalent. Éliminer l'utilisée batterie conformément aux instructions locales d'élimination.

Safety

- Before connecting cables or devices to connector wells, please turn off the power first thus preventing potential ESD damage.
- The KDS products are EMC compliant for Class "A" digital device business purposes. The Buyer and/or Seller is advised that these limits are intended to provide reasonable protection against harmful interference in a commercial environment. Equipment is not intended for home use.
- Ensure power is connected to a grounded outlet.
- Only the trained technician should open or access the internal components of the KDS products.
- This product is supplied with a UL Listed (Certificate) power source, rated 12Vdc, 8A (for controller); 1.35A minimum (for monitor), 50 degree C maximum and altitude 2000m maximum, if need further assistance, please contact ParTech Inc. for further information

Routine Maintenance

Care of Equipment

Prevent costly damage to your equipment:

- Do not use equipment in direct sunlight or outdoors where exposed to weather and other natural elements.
- Never allow a unit to drop
- Never allow napkins, boxes, or other objects to block air vents. These units have to "breathe" to operate efficiently.
- Make sure nylon or rubber grommet (washer) protects each hole punched through the counter top and other metal surfaces. Metal edges may cut through cables.
- Always turn off or unplug units during power failures.
- Never unplug a unit when the power switch is on.

Cleaning Equipment

Clean the surfaces of the terminals often:

1. Turn off the unit.
2. Dampen a clean towel with carbonated water. Make sure the towel is damp, not saturated. Do not use ammonia based cleaning products.
3. Wipe off the unit with the damp towel. Never pour carbonated water directly on unit.
4. When done, turn the unit back on.



WARNING: Never use abrasive materials to clean the touch screen on a KDS Monitor. A scratch on the surface could result in costly repairs.

AVERTISSEMENT: N'utilisez jamais de matériaux abrasifs pour nettoyer l'écran tactile sur une caisse enregistreuse. Une égratignure à la surface pourrait désactiver le registre, et entraîner des réparations coûteuses.

Specifications



LCD Monitor - M3716, M3716T

Size / Type: 21.5" TFT LCD Backlight

Resolution: 1920 x 1080

Luminance: 250 cd/m² (typ.)

Video Interface: HDMI

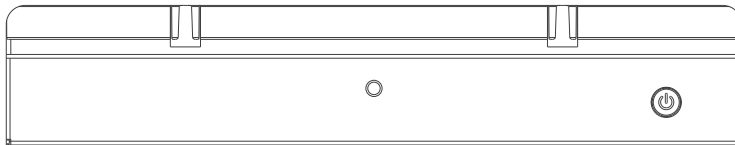
Touch Screen (optional): Projective Capacitive

Touch Controller Interface: USB Interface

Power: DC output from controller or Adapter: 12V

Environment: 5°C ~ 50°C at 10% ~ 95% humidity

I/O Connections: 1 - USB Type B port, 1 - HDMI,
1 - Audio line-in



Controller - M3720

PC Embedded System

CPU: Intel® Apollo Lake CPU J3455 (1.50 GHz)

Storage: 64GB SATA3 eMMC M.2 2242

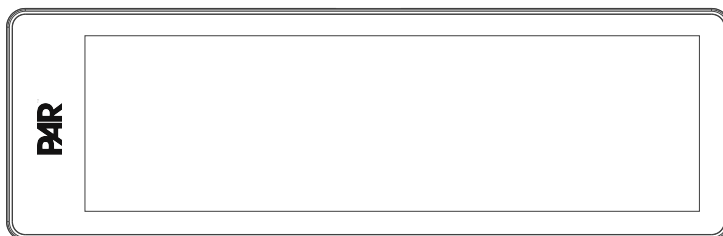
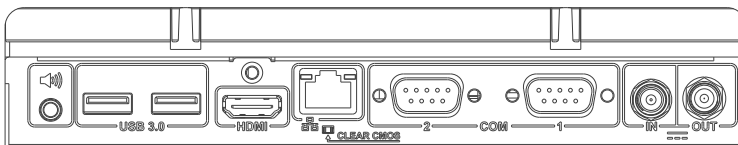
Memory: 4GB standard, 8GB maximum

OS: Windows 10 IoT

Power: Adapter input 100-240V, output 12V, 8A

Environment: 5°C ~ 50°C at 10% ~ 95% humidity

I/O Connections: 2 - USB ports, 2 - DB9 serial ports
(5Vdc, 1A or 12Vdc, 0.5A), 1 - Ethernet port RJ-45
10/100/1000, 1 - Audio line-out, 1 - Power DC-IN
(barrel connector), 1 - Power DC-OUT 12VDC/2A
(to monitor), 1 - HDMI



Bump Bar - K3720

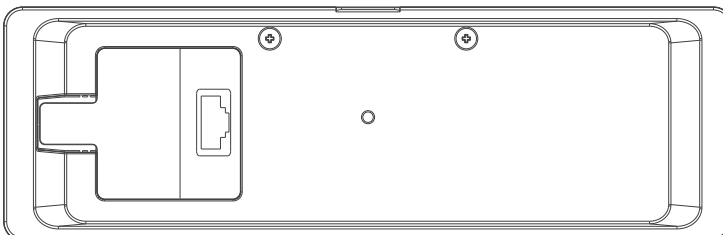
Custom Keyboard

Touch Screen: Capacitive PCB

Environment: 5°C ~ 50°C at 10% ~ 95% humidity

Power: 5V or 12V (through RJ45)

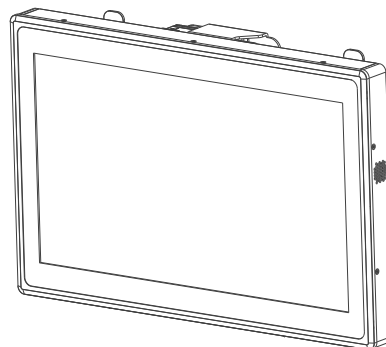
I/O Connections: RJ45



PAR KDS Monitor Quick Reference Guide

Thank You!

Thank you for purchasing the PAR KDS. With technology specifically designed for your environment, your success is our passion.



For Product information and full user Guide visit: <https://support.partech.com/>

1 Examine the Shipment



Please ensure all equipment is present.

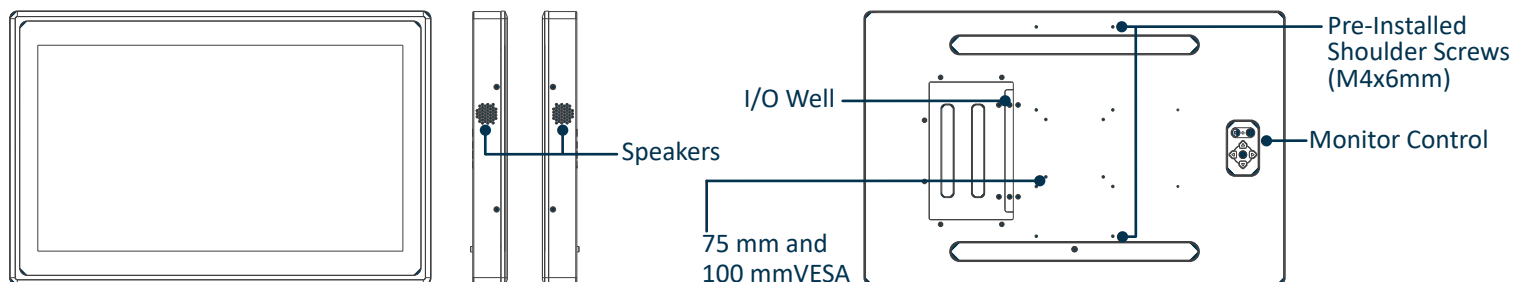
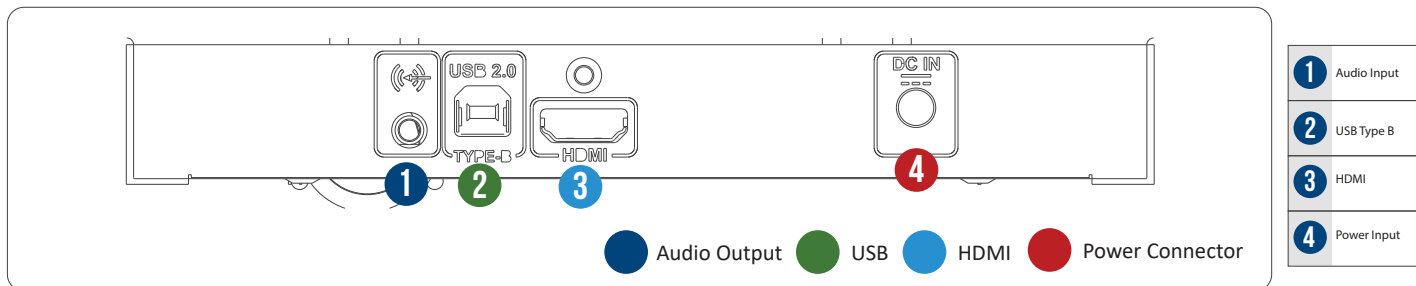
Report any missing or damaged equipment to your PAR Salesperson or PAR Channel Partner.



2 Inventory Components

The KDS Monitor is shipped separate but is compatible with the K3720-01 Hanger Kit or any 3rd Party VESA mount system (75mm and 100mm options).

Monitor I/O Board

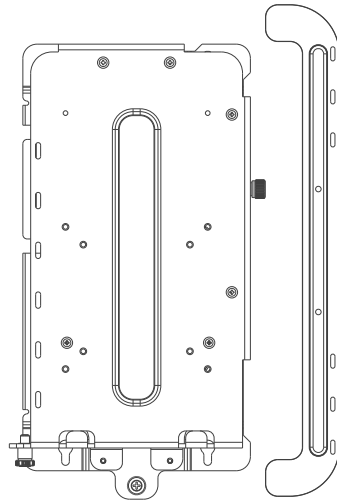


PAR KDS Hanger Kit Quick Reference Guide



Please ensure all equipment is present.

Report any missing or damaged equipment to your PAR Salesperson or PAR Channel Partner.



Brackets (2 Parts)

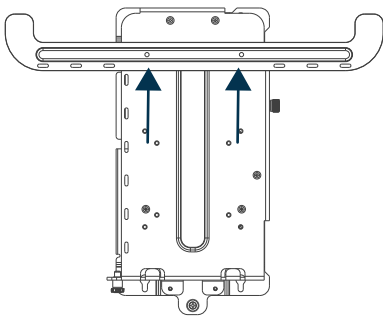


2x M4x10mm Black Cable Bracket Screws with washer



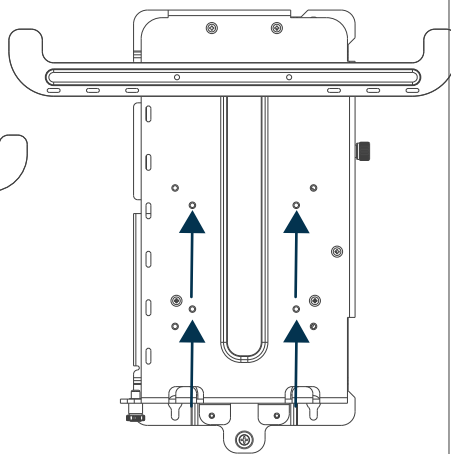
2x M4x6mm Controller Screws

Installing the Hanger Kit



1

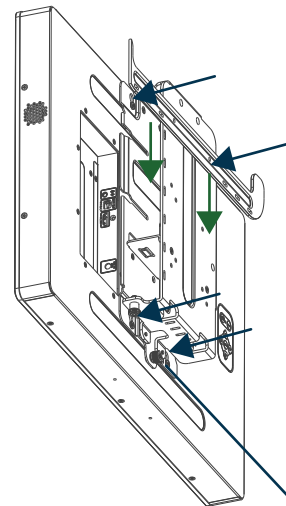
Mount the cable hanging bracket to the Hanger Kit with the included screws.



2

Mount the Hanger to a VESA wall or ceiling mount. Screws provided with VESA bracket.

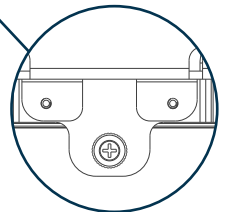
The bracket includes 75mm and 100mm patterns for various VESA mounts (M4x6mm).



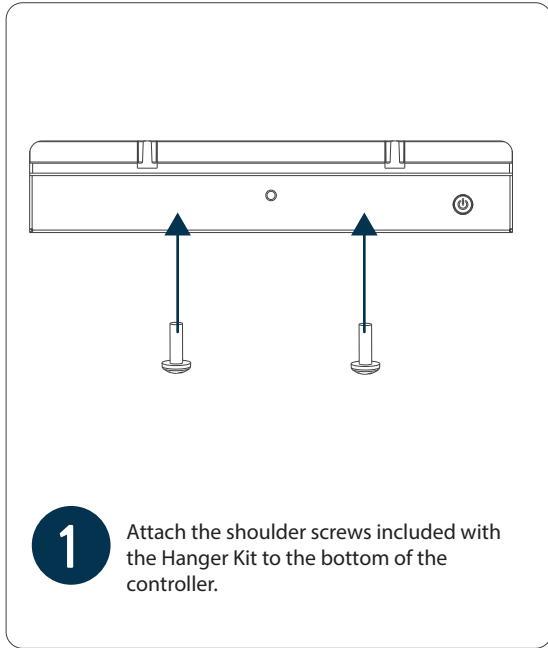
3

Affix the monitor to the hanger kit by aligning the key hole slots with the 4 shoulder screws then slide the monitor down.

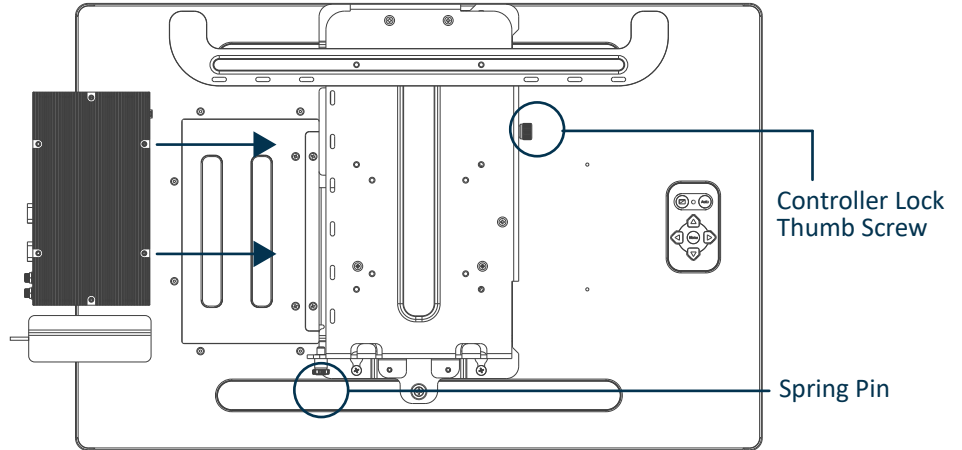
Secure the monitor to the bracket with the thumb screw at the bottom.



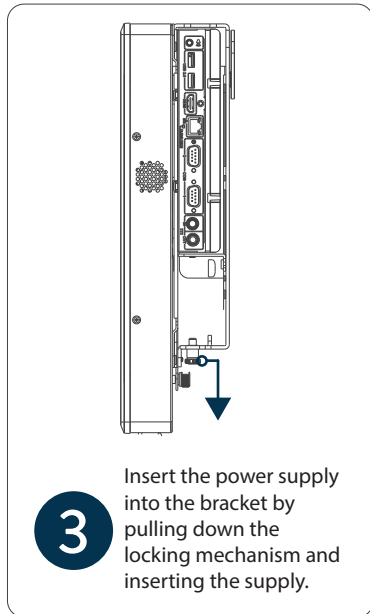
Installing the controller into the PAR KDS Hanger Kit



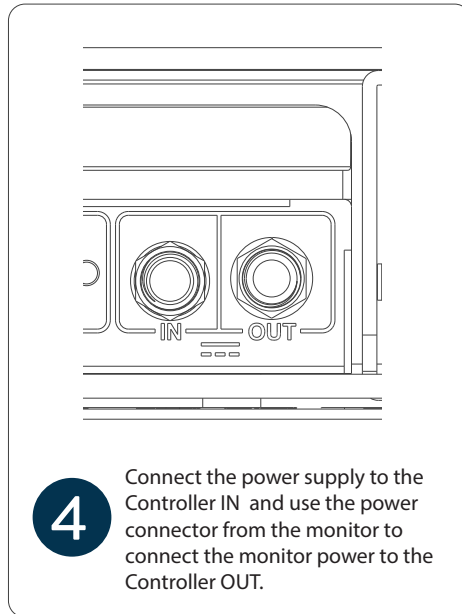
1 Attach the shoulder screws included with the Hanger Kit to the bottom of the controller.



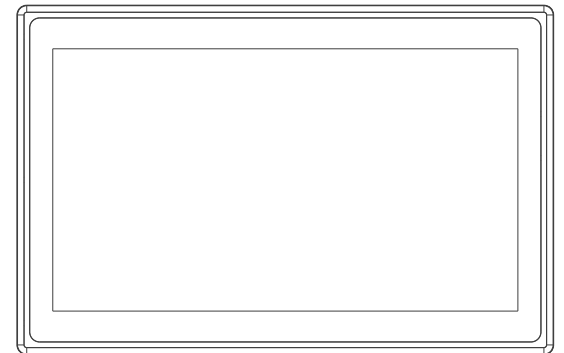
2 Slide the controller into the bracket by lining up the tracks on the bracket with the shoulder screws on the bottom of the controller. Affix cables to controller included with monitor. Secure the Controller with the locking thumb screw. Pull the spring Pin and insert the power brick into the channel. Attach power cable to controller. Attach AC power cable to brick.



3 Insert the power supply into the bracket by pulling down the locking mechanism and inserting the supply.



4 Connect the power supply to the Controller IN and use the power connector from the monitor to connect the monitor power to the Controller OUT.

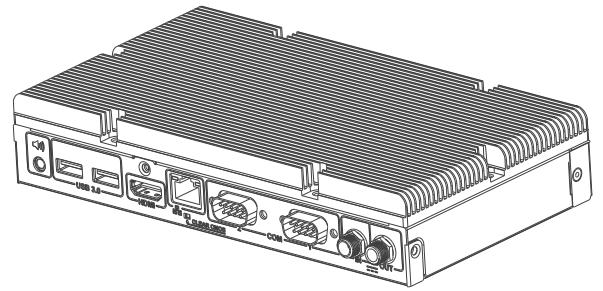


5 Connect the HDMI cable then plug in the power supply to an outlet and power up the Controller and Monitor.

PAR KDS Controller Quick Reference Guide

Thank You!

Thank you for purchasing the PAR KDS. With technology specifically designed for your environment, your success is our passion.



For product information and full user guide visit: <https://support.partech.com/>

1 Examine the shipment



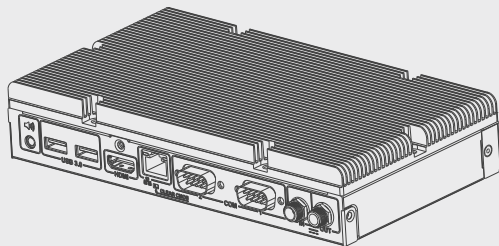
Please ensure all equipment is present.

Report any missing or damaged equipment to your PAR Salesperson or PAR Channel Partner.

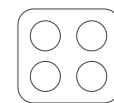


2 Inventory Components

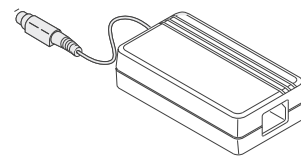
Ensure you have the items listed below in your order.



KDS Controller



Rubber Pads

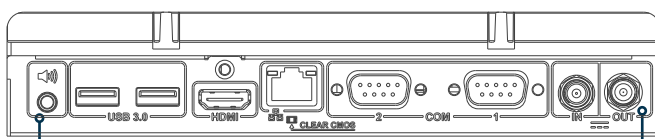


Power Supply



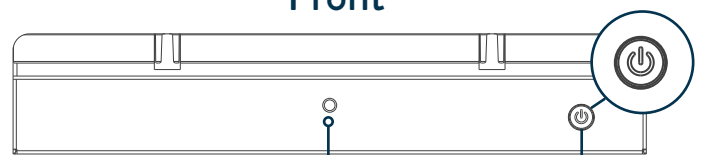
Power Cord

Back



I/O Ports

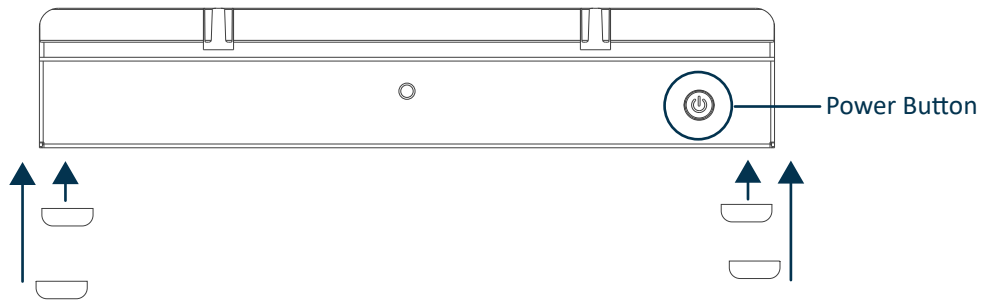
Front



Bracket Lock

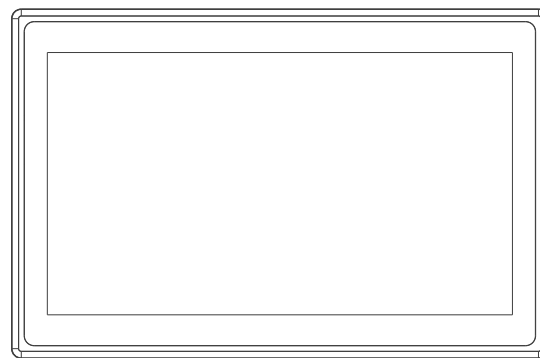
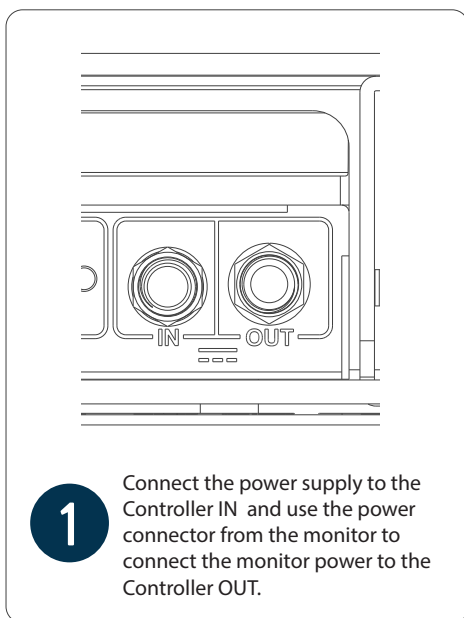
Power Button

Place the rubber feet on the controller (when not mounting)



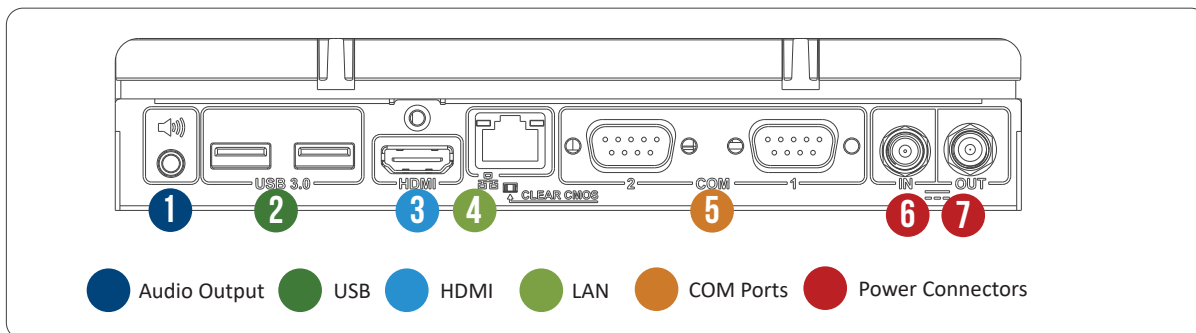
Place the 4 rubber feet included with the controller on the bottom of the controller in the four corners.

Connecting Power to the Controller and PAR Monitor



2 Connect the HDMI cable then plug in the power supply to an outlet and power up the Controller and Monitor.

Main I/O Board

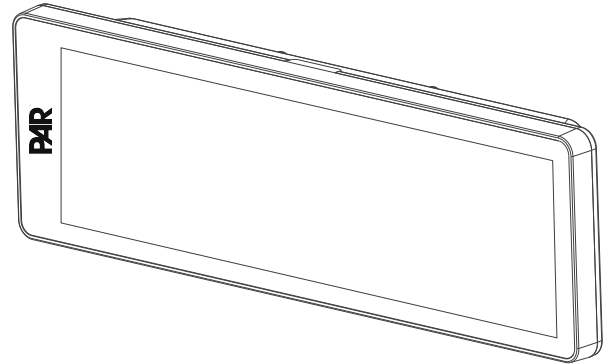


1	Audio Output
2	2x USB 3.0
3	HDMI
4	LAN
5	2x COM Ports
6	Power Input
7	Power Output

PAR KDS Bump Bar Quick Reference Guide

Thank You!

Thank you for purchasing the PAR KDS. With technology specifically designed for your environment, your success is our passion.



For Product information and full user guide visit: <https://support.partech.com/>

1 Examine the Shipment



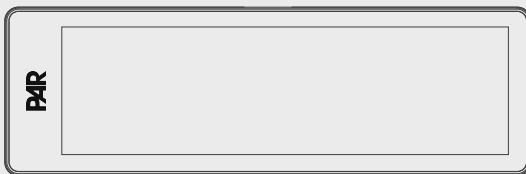
Please ensure all equipment is present.

Report any missing or damaged equipment to your PAR Salesperson or PAR Channel Partner.

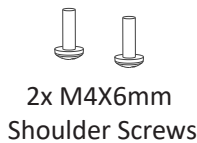


2 Inventory Components

Ensure you have the items listed below in your order.



KDS Bump Bar



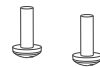
2x M4X6mm Shoulder Screws



Bump Bar mounting Brackets



15' Serial Connection Cable

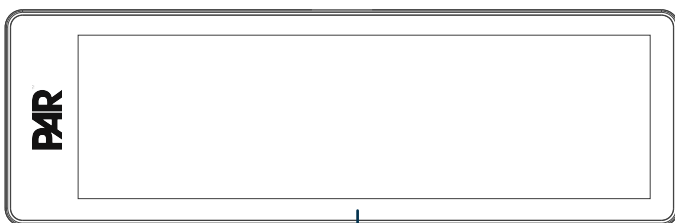


2x M4X6mm Black Round Head Screws with Washer



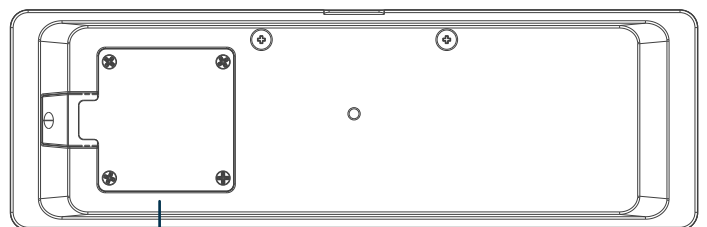
15' USB Connection Cable

Front



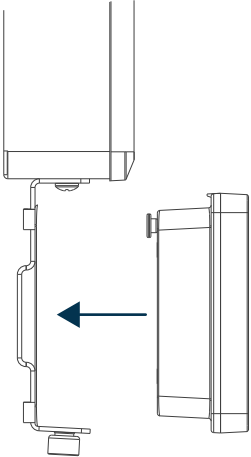
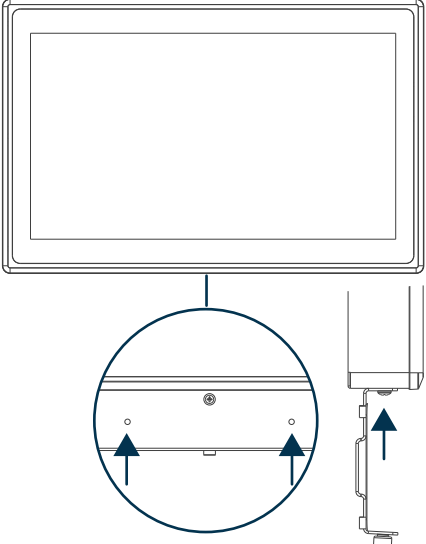
Touch Screen

Back



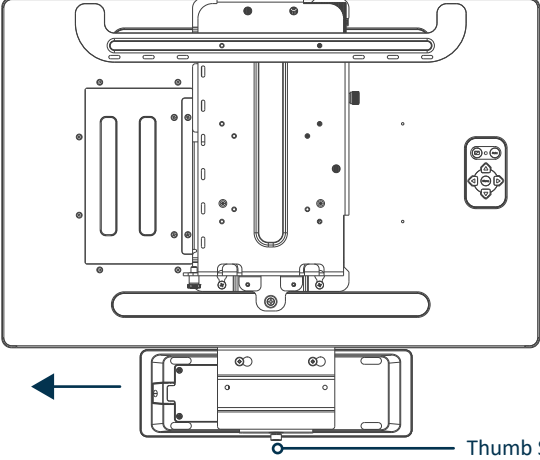
Cable Well Cover

Installing the Bump Bar on to the PAR KDS Monitor



1 Using the 2 M4x6mm screws included with the Bump Bar bracket, attach the bracket the bottom of the monitor.

2 Using the guide screws to line up the Bump Bar with bracket key holes, insert the Bump Bar into the bracket on the monitor.



3 Use the thumb screw to lock the Bump Bar in place.

Plug the Bump Bar cable into the controller.

While looking at the back of the bracket slide the Bump Bar to the left to secure in the key holes.

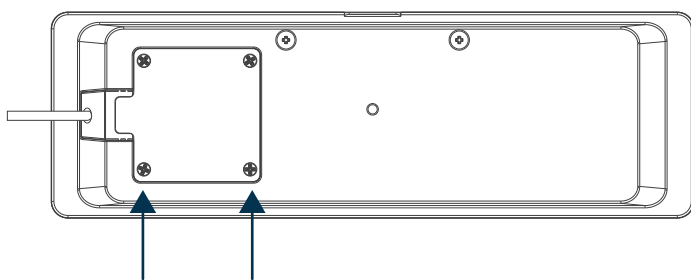
Thumb Screw

Replacing the Bump Bar Cable

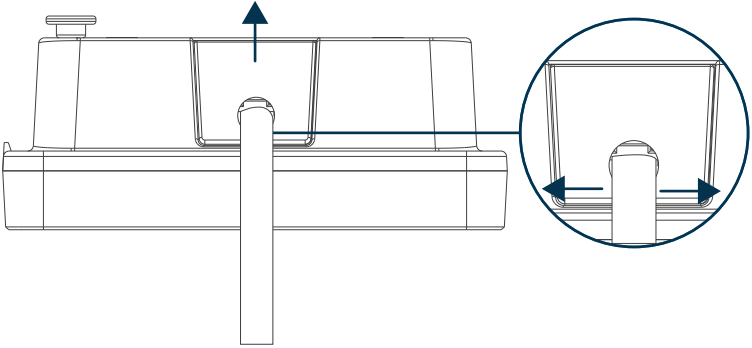


WARNING: Only a trained technician should remove the cover of the Bump Bar to remove/replace the Bump Bar insert.

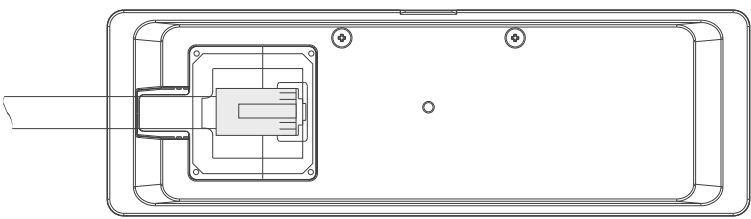
AVERTISSEMENT: Seul un technicien qualifié est habilité à retirer le capot du pare-chocs pour retirer / remplacer l'insert Bump Bar



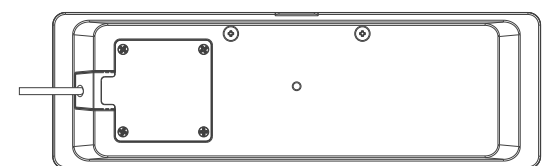
1 Remove the 4 Screws on the back of the Bump Bar using a Philips head screw driver.



2 Carefully remove the cable well cover and rubber gasket from the Bump Bar and use the cable slot cut into the bottom to remove from the cable.



3 Replace the Bump Bar cable with the new cable. Place the cable well cover on the new cable.



4 Place the cable well cover back onto the Bump Bar and screw with the 4 screws from step 1.