

PAR[®] Phase[™]



TABLE OF CONTENTS

3	Your Phase Terminal
3	Unboxing the Terminal
3	Care of Equipment
4	Access Door
4	Accessing the I/O Well
4	I/O Connections
5	Re-attaching the Access Door
5	Powering the Terminal ON/OFF
6	Installing the Magnetic Swipe Reader (K9340)
7	Installing the Biometric Reader (K9341)
8	15.6" Display Wall-mount Installation (K9120)
9	10.1" Display VESA Mount Configuration
10	Installation murale d'affichage de 15.6" po (K9120)
11	Afficher la configuration du montage VESA10.1"
12	Additional Information
12	Terms and Conditions
12	Safety Information

Your Phase Terminal



PAR Phase™ is our flagship POS terminal featuring cutting-edge technology that strengthens the ability to deliver great guest experiences. Powered by Intel's latest chipset – Tiger Lake, Phase is ready to support your software infrastructure while providing multiple terminal configuration options. Both the 15.6" and 10.1" models can be wall mounted according to your needs.



Unboxing the Terminal

Remove the terminal from the box by grasping the sides of the foam end caps to slide the terminal out.

- DO NOT pull the terminal out of the box by lifting on the plastic bag. This may result in damage to the terminal.

Care of Equipment

Clean the terminal periodically with a soft damp cloth. Magnetic card readers should also be cleaned periodically by using an alcohol solution and a cleaning card.

- Never use abrasive materials to clean.
- Never allow a unit to drop.
- Never allow napkins, boxes, or other objects to block air vents on the terminal. Adequate airflow is necessary for the terminal to function correctly.
- Make sure a nylon or rubber grommet (washer) protects each hole drilled through the counter top and other metal surfaces. Metal edges may cut through cables.
- Always turn off or unplug units during power failures.
- Turn OFF and unplug the unit before servicing it.



Opening and Removing the Access Door

Open the access door by pulling it away from the terminal. Gently flex the sides of the door outwardly to remove the post from the slot and set door aside to replace after cable connections have been set.



Accessing the I/O Well

Lean the terminal forward, rest the display onto a cloth or ESD mat to connect the necessary cables. Route the power cable (and all other cables) through the cable slot.

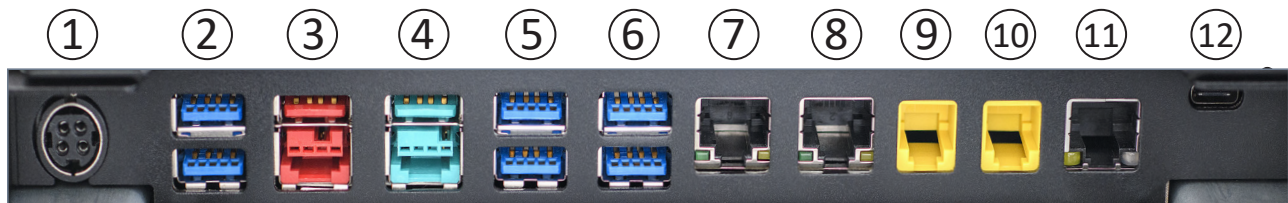


I/O Connections

- Connect the 24v power cable to the round 24v DC Power IN connection. Push the power cable plug into the receptacle until a “click” is heard, indicating the latch is engaged (to remove power connection, pull back on power plug collar to release the latch). Set the cord into the plastic hook.
- Attach the Ethernet cable for network connection to the Ethernet port 11.
- Plug in any additional required peripherals to the terminal.
- Attach AC power cord to the power brick.

It is important to leave enough slack in the connected cables to be able to lay the terminal on the touch screen face, rotate 90 degrees (left or right), and be able to reach the cables for diagnostic purposes.

Note: For all PAR Phase™ models the total combined output of 24V PUSB, 12V PUSB and all USB 3.0 ports is 90W.



- | | | | | | |
|-------------|---------------------------|-----------|---------------------------------------|----------------------|---|
| ① 24V DC IN | ③ Powered USB (24V, 2.1A) | ⑤ USB 3.0 | ⑦ Serial Port (COM 1, 12V/0.5A) 5V/1A | ⑨ Cash Drawer (CD 1) | ⑪ LAN |
| ② USB 3.0 | ④ Powered USB (12V, 1.5A) | ⑥ USB 3.0 | ⑧ Serial Port (COM 2) | ⑩ Cash Drawer (CD 2) | ⑫ USB-C (5V/0.9A)
<small>*This port does not support USB-PD and USB-Charging</small> |

Re-attaching the Access Door

Once all cables have been set, reinstall the door by setting one pin into the corresponding slot. Continue by bringing the other end of the door gently around, then flex out the end to pull over the slot and set the pin directly into it. Shut the access door, snap in the center and both sides of the access door.



Powering the Terminal ON/OFF

To turn **ON** hold down the power button for **3 seconds**.

Turn **OFF** by using the Operating System **shutdown function**.

Note: Only use the power button when the OS is not responsive. To force a system shutdown hold the power button for 5-6 seconds.



Installing the Magnetic Swipe Reader (K9340)

Remove the rubber receptacle covers over the connection point and USB-C slot by pulling them out and away. Insert the MSR into the open slots and push inward to set.



Installing the Biometric Reader (K9341)

Remove the rubber receptacle covers over the connection point and USB-C slot by pulling them out and away. Insert the biometric reader into the open slots and push inward to set.



15.6" Display Wall-mounting Plate Installation (K9120)

Compatible with VESA 100mm mounts

Note: Power must be turned **OFF** and the power cord disconnected to complete the installation.

⚠ WARNING! Removing service parts that contain the warning sign will defeat important fire safety enclosures and may expose users to hot parts. The cover is snap fit but is only intended for use by service personnel.



1 Remove the two screws as shown and set aside.



2 Remove the top strip by lifting it off of the terminal.



3 Remove the two screws as shown and set aside.



4 Remove the connector attached to the panel and tuck the wires into the exposed receptacle.



5 The panel can now be removed and set aside.



6 Insert the mounting plate base tabs into the drilled screw slots as shown.



7 Fasten the screws in the top position.



8 Remove the screws at the base of the mounting plate. Pull the display off of the pedestal to mount.



9 The completed assembly will fit any 100mm VESA mount.

(continued on page 9)

These instructions are shown in French on page 10
Ces instructions sont affichées en français à la page 10

15.6" Display Wall-mounting Plate Installation (K9120)

Compatible with VESA 100mm mounts (continued)

Note: Power must be turned **OFF** and the power cord disconnected to complete the installation.

⚠WARNING! Removing service parts that contain the warning sign will defeat important fire safety enclosures and may expose users to hot parts. The cover is snap fit but is only intended for use by service personnel.



Fasten the display onto the VESA mount with M4 screws.



You should be able to access both sides of the terminal.



The display can be tilted once it has been secured.

10.1" Display VESA Mount Configuration compatible with VESA 100mm mounts

Note: Power must be turned **OFF** and the power cord disconnected to complete the installation.

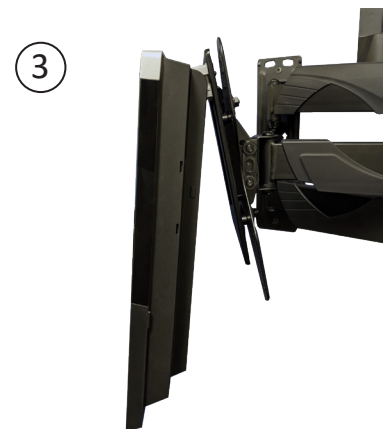
⚠WARNING! Removing service parts that contain the warning sign will defeat important fire safety enclosures and may expose users to hot parts. The cover is snap fit but is only intended for use by service personnel.



Start with a pre-configured display.



The display will need to be held out and away while fastening the display bracket on to the mount.



The completed assembly will look similar to this configuration.

These instructions are shown in French on page 11
Ces instructions sont affichées en français à la page 11

Installation de la plaque de montage mural de l'écran 15.6" (K9120)

Compatible avec les montures VESA 100 mm

Remarque: L'alimentation doit être activée **OFF** et le cordon d'alimentation débranché pour terminer l'installation.

⚠ AVERTISSEMENT! Le retrait des pièces de rechange qui contiennent le signe d'avertissement détruira les enceintes de sécurité incendie importantes et peut exposer les utilisateurs aux pièces chaudes. Le couvercle est encliquetable mais est uniquement destiné à être utilisé par le personnel d'entretien.



1 Retirez les deux vis commemo-
tré et mis de côté.



2 Retirez la bande supérieure en la
soulevant hors du terminal.



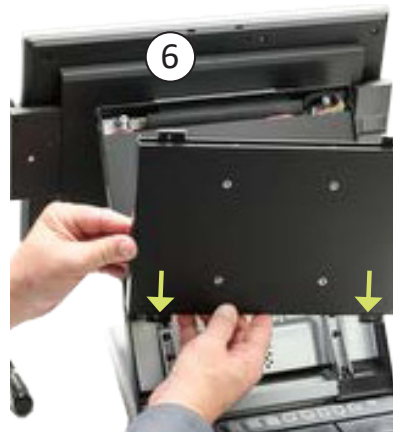
3 Retirez les deux vis commemo-
tré et mis de côté.



4 Retirez le connecteur attaché au
panneau et rentrez les fils dans le
réceptacle exposé



5 Le panneau peut maintenant
être retiré et mis de côté.



6 Insérez la base de la plaque de
montage languettes dans les fentes
de vis percées comme montré.



7 Serrez les vis en haut positionner.



8 Retirez les vis à la base de la plaque
de montage. Tirez sur l'écran hors
du piédestal pour monter.



9 L'assemblage terminé s'adapter-
an'importe quel support VESA
de 100 mm.

(suite à la page 13)

Installation de la plaque de montage mural de l'écran 15.6" (K9120)

Compatible avec les montures VESA 100 mm (suite)

Remarque: L'alimentation doit être activée **OFF** et le cordon d'alimentation débranché pour terminer l'installation.

⚠ AVERTISSEMENT! Le retrait des pièces de rechange qui contiennent le signe d'avertissement détruira les enceintes de sécurité incendie importantes et peut exposer les utilisateurs aux pièces chaudes. Le couvercle est encliquetable mais est uniquement destiné à être utilisé par le personnel d'entretien.



10 Fixez l'écran sur le support VESA avec vis M4.



11 Vous devriez pouvoir accéder des deux côtés du terminal.



12 L'écran peut être incliné une fois qu'il a été sécurisé.

Écran 10.1" Configuration de montage VESA compatible avec VESA 100 mm montures

Remarque: L'alimentation doit être activée **OFF** et le cordon d'alimentation débranché pour terminer l'installation.

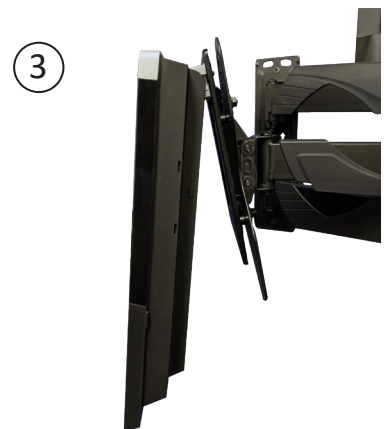
⚠ AVERTISSEMENT! Le retrait des pièces de rechange qui contiennent le signe d'avertissement détruira les enceintes de sécurité incendie importantes et peut exposer les utilisateurs aux pièces chaudes. Le couvercle est encliquetable mais est uniquement destiné à être utilisé par le personnel d'entretien.



1 Commencez avec un pré-configuration à l'affichage.



2 L'affichage devra être maintenu à l'extérieur tout en fixant le support d'affichage sur le support.



3 L'assemblage terminé sera ressemblable à cette configuration.

Additional Information

15.6" Core i5 Model Specifications

M9110-10
Widescreen
No customer display included.
(8GB/128GB SSD)

M9110-11
Widescreen
2X20 Customer display included.
(8GB/128GB SSD)

M9110-12
Widescreen
10.1" Customer display included.
(8GB/128GB SSD)

15.6" Celeron Model Specifications

M9100-10
Widescreen
No customer display included.
(8GB/128GB SSD)

M9100-11
Widescreen
2X20 Customer display included.
(8GB/128GB SSD)

M9100-12
Widescreen
10.1" Customer display included.
(8GB/128GB SSD)

10.1" Celeron Model Specifications

M9000-04
Widescreen, VESA mount configured.
No customer display included.
(8GB/128GB SSD)

M9000-10
Widescreen
No customer display included.
(8GB/128GB SSD)

M9000-11
Widescreen
2X20 Customer display included.
(8GB/128GB SSD)

Electrical and Operating Requirements

Operating temperature:
41° to 104° F (5° to 40° C)
Relative humidity: 10% to
90% non-condensing

Line voltage: 100-240 VAC
Frequency: 50/60 Hz
Operating temperature:
41° to 104° F (5° to 40° C)

External Monitor Compatibility

Supports "Thunderbolt - Alt Mode", through the USB-C connector. Monitors with Thunderbolt input or adapters converting the Thunderbolt port to (HDMI / DVI / VGA) are compatible. The USB-C port does not support USB-PD and USB charging, output rating is 5V, 0.9 A.

Limited Warranty and Service

One year mail-in warranty, additional service options are available.

Support Information

For Service:
USA: 800.382.6200
Canada: 800.387.4963

Parts:
USA: 800.PAR.PART
Canada: 800.387.4963

Driver Support:
support.partech.com

Terms and Conditions

Read, understand, and follow all safety information contained in these instructions prior to installation & operation of PAR systems. Failure to follow all instructions listed could result in electrical shock, fire and/or other personal injury. Retain these instructions for future reference.

Revised 5/2021

Safety Information

⚠ This product contains chemicals, including lead, which is known to the State of California to cause cancer, birth defects or other reproductive harm. For more information, go to www.P65Warnings.ca.gov

⚠ **WARNING!** Removing service parts that contain the warning sign will defeat important fire safety enclosures and may expose users to hot parts. The cover is snap fit but is only intended for use by service personnel.

⚠ **AVERTISSEMENT!** Le retrait des pièces de rechange qui contiennent le signe d'avertissement détruira les enceintes de sécurité incendie importantes et peut exposer les utilisateurs aux pièces chaudes. Le couvercle est encliquetable mais est uniquement destiné à être utilisé par le personnel d'entretien.

WARNING! Do not mount the terminal over 2 meters above floor level.
AVERTISSEMENT! Ne montez pas le terminal à plus de 2 mètres au-dessus du niveau du sol.

CAUTION! Always ensure that the device has adequate ventilation and air flow. Covering the devices can trap heat and redirect it back to the device, causing damage.

MISE EN GARDE! Assurez-vous toujours que l'appareil dispose d'une ventilation et d'un débit d'air adéquats. Couvrir les appareils peut emprisonner la chaleur et la rediriger vers l'appareil, causant des dommages.

WARNING! To reduce the risk associated with hazardous voltage:

- Disconnect power before installing or removing power supply.
- If power supply is supplied with a grounding pin, connect directly to a grounding receptacle – 3 prong.
- Do not use if the power supply cord or enclosure is damaged.
- Use the power supply indoors and in dry locations only.

ATTENTION! Pour réduire le risque associé à une tension dangereuse :

- Débranchez l'alimentation avant d'installer ou de retirer l'alimentation.
- Si l'alimentation est fournie avec une broche de mise à la terre, connectez-la directement à une prise de terre à 3 broches.
- Ne pas utiliser si le cordon d'alimentation ou le boîtier est endommagé.
- Utilisez l'alimentation à l'intérieur et dans des endroits secs uniquement.

WARNING! Never dispose of batteries in a fire because they may explode. Do not disassemble, crush, puncture, heat, burn, or reuse.

ATTENTION! Ne jetez jamais les piles au feu car elles pourraient exploser. Ne pas démonter, écraser, percer, chauffer, brûler ou réutiliser.

CAUTION! Risk of explosion if battery is replaced by incorrect type. Dispose of used batteries according to the following instructions.
ATTENTION! Risque d'explosion si la batterie est remplacée par un type incorrect. Jetez les piles usagées conformément aux instructions suivantes.

CAUTION! To reduce the risks associated with environmental contamination due to battery pack:

- Dispose of batteries, power supplies, battery charger and all other electrical components in accordance with federal, state & local requirements. If preferred, return these components to PAR Service Center for recycle.
- Many rechargeable batteries are required to be recycled by local, state/province, and national laws. To properly recycle/dispose of the battery or battery pack, always follow local solid waste disposal regulations.

US and Canada Disposal Information

In the United States and Canada, PAR is partnering with Call2Recycle Rechargeable Battery Recycling Corporation (RBRC) to provide you recycling service to ensure that the rechargeable batteries within our products are recycled properly. To assist you in using this service call the Call2Recycle battery recycling information help line at 1-800-822-8837 or go to call2recycle.org


FCC Compliance and Industry Canada Information

FC This device complies with part 15 of the FCC Rules and ISED Canada standards. Operation is subject to the following two conditions: (1) this device may not cause harmful interference, and (2) this device must accept any interference received, including interference that may cause undesired operation.

EU Compliance

CE This device complies with Directive 2014/53/EU.

European Union Disposal Information

 This symbol means that according to local laws and regulations your product and/or its battery shall be disposed of separately from household waste. When this product reaches its end of use, take it to a collection point designated by local authorities.

PAR Technology Corporation
8383 Seneca Turnpike
New Hartford, NY 13413
Phone: (315) 738-0600
www.partech.com

© 2020 PAR Technology Corp.
All Rights Reserved

This material has been created in order to accommodate a wide range of restaurant operations and your specific business practices and system configuration may differ slightly from what is represented in this material. While ParTech, Inc. ("PAR") takes great care to ensure the accuracy of these materials, all material is provided "as is" without warranty of any kind, either express or implied, including, but not limited to, warranties of merchantability or fitness for a particular purpose. PAR does not make any warranties or representations that the materials will meet your requirements or that the operations of the hardware will be uninterrupted or error free.

Trademark Notices: The PAR logo is a trademarks of PAR Technology Corporation, the parent company of ParTech, Inc. or its affiliates. All other product names used throughout this material are trademarks of the respective companies. No such use of any trademark is intended to convey endorsement or other affiliation with these companies.

Reproduction: Copyright © 2020 ParTech, Inc. All rights reserved. This publication, or any part thereof, may not be reproduced or transmitted in any form or by any means, electronic or mechanical, including photocopying, recording, storage in an information retrieval system, or otherwise, without the prior written permission of ParTech, Inc., PAR Technology Park, 8383 Seneca Turnpike, New Hartford, NY 13413-4991 USA