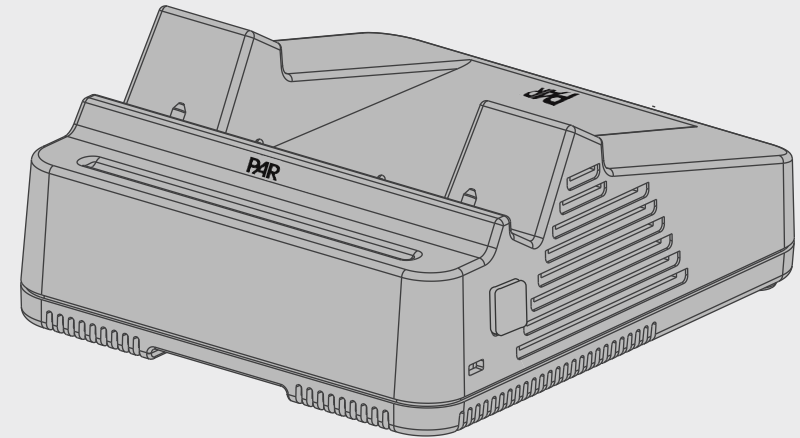


Thank You!

Thank you for purchasing the PAR Tablet POS Docking Station. With technology specifically designed for your environment, your success is our passion.



1 Examine the Shipment



Please ensure all equipment is present.

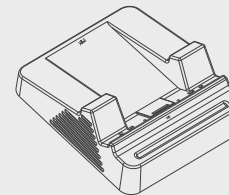
Report any missing or damaged equipment to your PAR Salesperson or PAR Channel Partner.



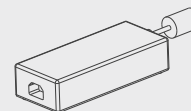
When using Class I power adapter, power cord shall be connected to a socket-outlet with earthing connection.

2 Inventory Components

Ensure you have the following items in your POS Docking Station order:



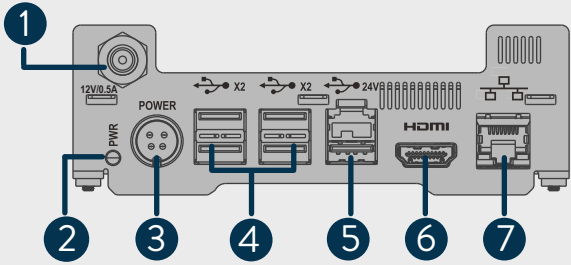
Docking Station



Power Supply

Packaged Separately	
 Power Cord According to Country	Optional <div style="border: 1px solid black; border-radius: 10px; padding: 5px; display: inline-block;">A-H</div> (8) Paired Lettered Tablet-Dock Labels

POS Docking Station I/O Ports

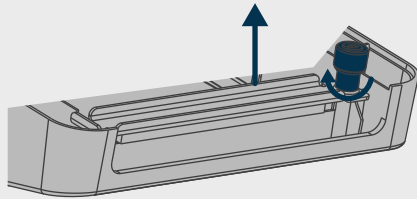


1. +12V at 0.5A Power Output Jack
2. Power Indicator.
3. Power Input, +19V at 7.89A
4. 4x USB 3.0, 900 MA each
5. +24V at 1.8A Powered USB 2.0
6. HDMI Port
7. Network Port

Operating Temperature: +5°C to +40°C

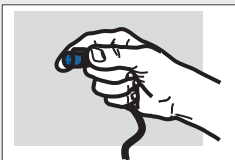
Using the Cable Retaining Bar

- 1 Turn the docking station over so the feet are facing up.
- 2 Unscrew the silver shoulder screw. Lift the retaining bar.
- 3 Plug in all necessary cables for peripherals, making sure they are neat and secure.
- 4 Push the retaining bar back down and secure it by tightening the silver screw.

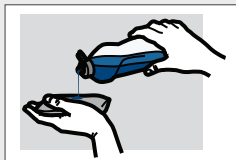


Cleaning the Docking Station

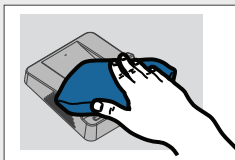
Warning: Never use abrasive materials to clean the docking Station. Also, avoid ammonia products.



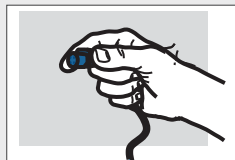
- 1 Power down and unplug the equipment being cleaned.



- 2 Dampen a clean towel with carbonated water or glass cleaner.

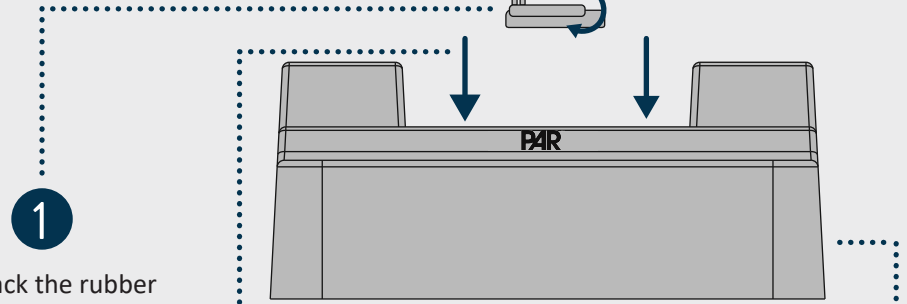
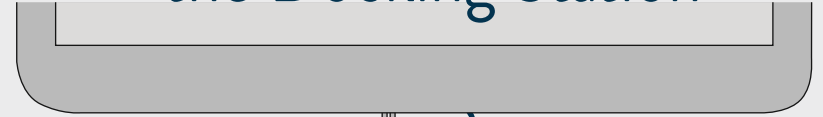


- 3 Wipe down the Docking Station with the damp towel. Never pour or spray cleaner directly in the ports.



- 4 When finished cleaning, plugin the equipment and power the unit on.

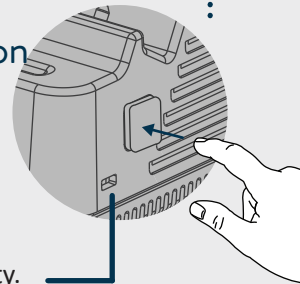
Placing a PAR Tablet on the Docking Station



- 1 Pull back the rubber tab that covers the docking connector on the bottom of the Tablet.
- 2 Line up the connectors on the Tablet with corresponding connectors on the Docking Station and push into place.

Releasing the tablet from the docking station

To release the Tablet from the Docking Station, press the black button on the right side of the Docking Station then gently pull the Tablet away from the Dock.

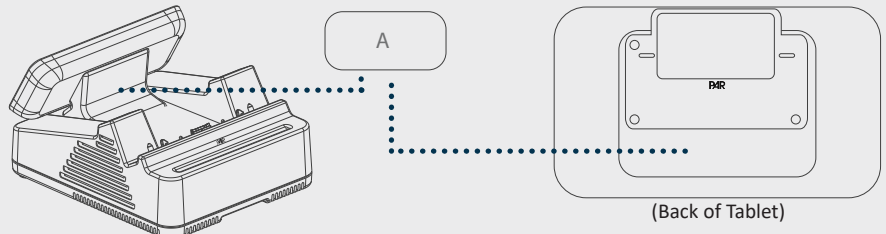


Kensington Lock

Built in Kensington lock connector for docking station security.

Optional Paired Labels - Multiple Docs

To help keep tablets and docks paired, the docking station includes 8 paired labels when using multiple docks and tablets. When placing labels it is recommended to have the labels located outside of customer eye line.



If tablet is removed from dock it is important that it is returned to the same dock. Placing tablet in alternate dock will result in loss of customer display.