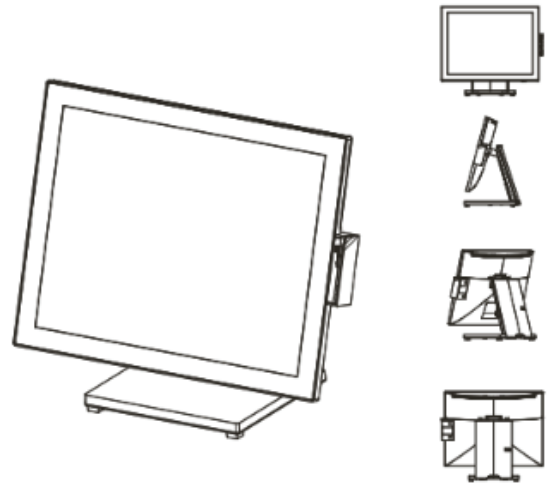


THANK YOU!

Thank you for purchasing the PAR Wave terminal. With technology specifically designed for your environment, your success is our passion.



FOR PRODUCT INFORMATION AND FULL USER GUIDE VISIT: <https://support.partech.com/>

1 EXAMINE THE SHIPMENT



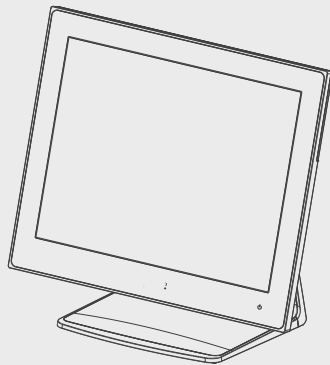
Please ensure all equipment is present.

Report any missing or damaged equipment to your PAR Salesperson or PAR Channel Partner.



2 INVENTORY COMPONENTS

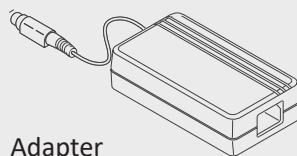
Ensure you have the items listed below in your order.



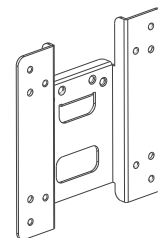
PAR Wave Terminal



Power Cord



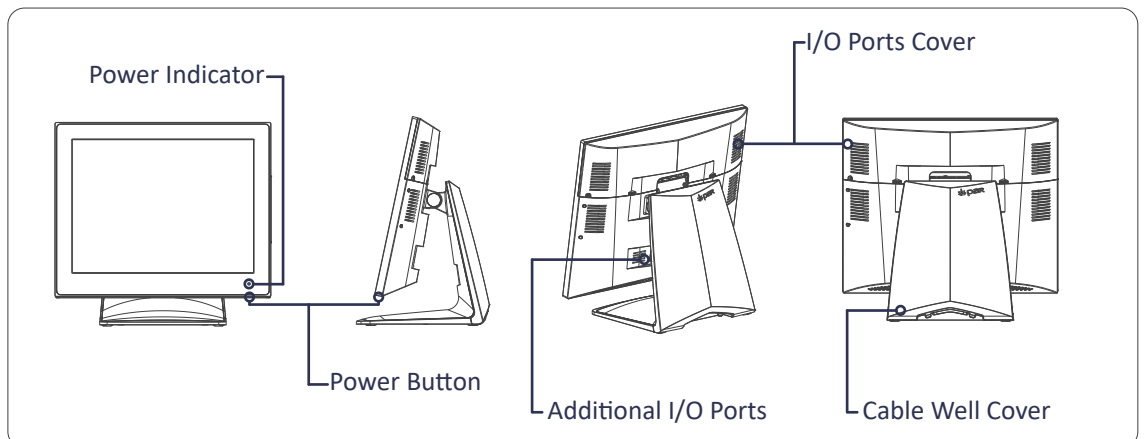
Adapter



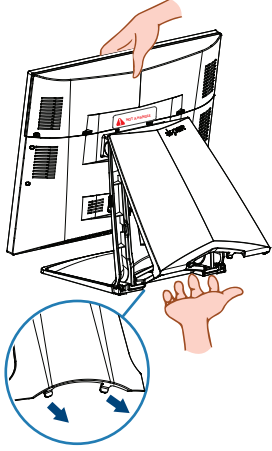
VESA Adapter Plate
(optional - may not be included with every order)

REMOVING TERMINAL FROM BOX

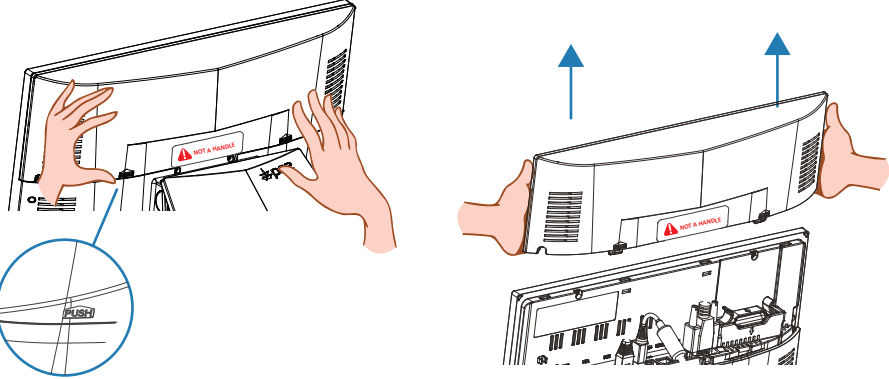
Remove the terminal from the box, remove packaging. Fold bottom of pedestal out and tighten two Philips screws on stand bottom.



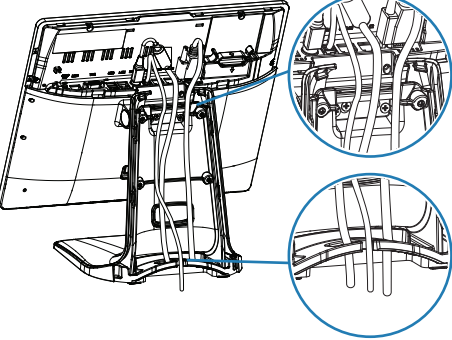
ACCESSING THE I/O WELL & CONNECTING CABLES



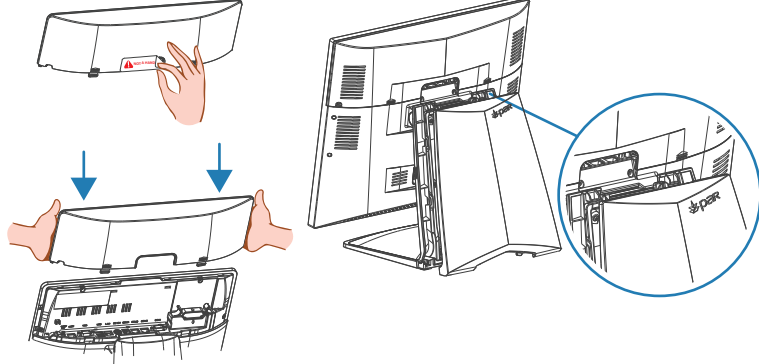
1 Remove the stand cover by holding the terminal with one hand and pulling the bottom of the stand cover by the cover hooks.



2 Remove the I/O cover by pressing the two tabs and pulling the cover straight up away from the terminal.

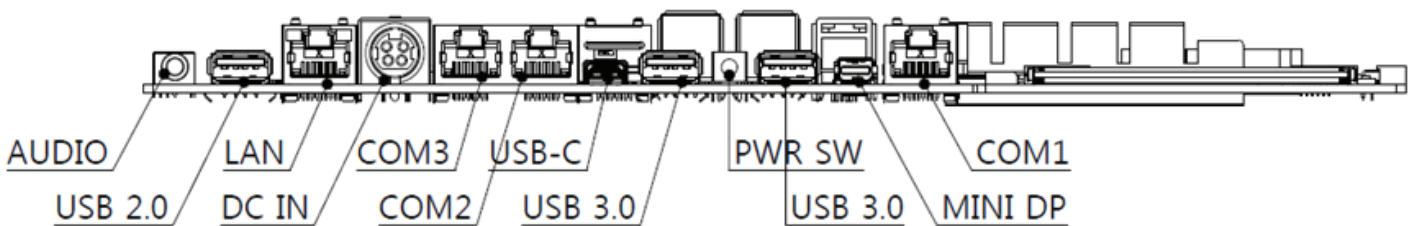


3 Connect your cables in the designated I/O ports and then route through the terminal stand.

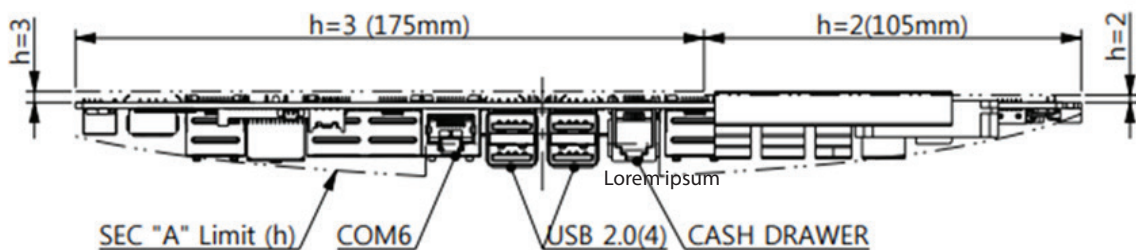


4 Remove the sticker from the I/O cover, then replace the cover on the terminal. Replace the stand cover by first connecting the top tabs then pressing on the bottom.

MAIN I/O BOARD



ADDITIONAL I/O



PORT CAPACITY

USB-C: Input 12V / 5A, Output 5V / 1.5A

Cash Drawer: 24V / 0.2A

AVAILABLE MODELS/KITS

- M7150 - Celeron J6412, 15" LCD (4:3 aspect), 8 GB DRAM, 128 GB M.2 NVMe SSD
- M7155 - Celeron J6412, 15.6" LCD (16:9 aspect), 8 GB DRAM, 128 GB M.2 NVMe SSD
- M7160 - Core i5 1145G7E, 15" LCD, 8GB DRAM, 128 GB M.2 NVMe SSD
- M7165 - Core i5 1145G7E, 15.6" LCD, 8 GB DRAM, 128 GB M.2 NVMe SSD
- K6151B - VESA Adapter Plate
- K7340 - 3-Track MSR
- K7341 - 3-Track MSR with Biometric Fingerprint Reader
- K7720 - 2x20 VF Customer Line Display
- K7721 - 2x20 Double Byte Display
- K7722 - 10.1" Graphical Customer Display (1024x768) - Non-Touch
- K7722T - 10.1" Graphical Customer Display (1024x768) - PCAP Touch Enabled
- K7724 - 13.3" Graphical Customer Display - Non-Touch
- K7724T - 13.3" Graphical Customer Display - PCAP Touch Enabled

15" display with
10" customer display



15" display with
2x20 customer display



15.6" display with
13.3" customer display



15.6" display with
2x20 customer display



M7150-10 – 15" Celeron 8GB/128GB Panel No Pedestal w/K6150B
M7155-10 – 15.6" Celeron 8GB/128GB Panel No Pedestal w/K6150B
M7160-10 – 15" i5 8GB/128GB Panel No Pedestal w/K6150B
M7165-10 – 15.6" i5 8GB/128GB Panel No Pedestal w/K6150B

M7155-20 – 15.6" Celeron 8GB/128GB Low Profile Stand
M7165-20 – 15.6" i5 8GB/128GB Low Profile Stand



FCC Note:

This equipment has been tested and found to comply with the limits for a Class A digital device, pursuant to part 15 of the FCC Rules. These limits are designed to provide reasonable protection against harmful interference when the equipment is operated in a commercial environment. This equipment generates, uses, and can radiate radio frequency energy and, if not installed and used in accordance with the instruction manual, may cause harmful interference to radio communications. Operation of this equipment in a residential area is likely to cause harmful interference in which case the user will be required to correct the interference at his own expense.

Canada Note: CAN ICES-3 A/NMB-3 A

This device complies with part 15 of the FCC Rules and with Industry Canada license-exempt standard RSS-210 as of the date printed. Operation is subject to the following two conditions: (1) this device may cause interference, and (2) this device must accept any interference, including interference that may cause undesired operation of the device.

Cet appareil est conforme avec la norme RSS-210 d'Industrie Canada exempte de licence à compter de la date imprimée. Son fonctionnement est soumis aux deux conditions suivantes : (1) cet appareil peut causer des interférences, et (2) cet appareil doit accepter toute interférence, y compris celles pouvant provoquer un fonctionnement indésirable de l'appareil.