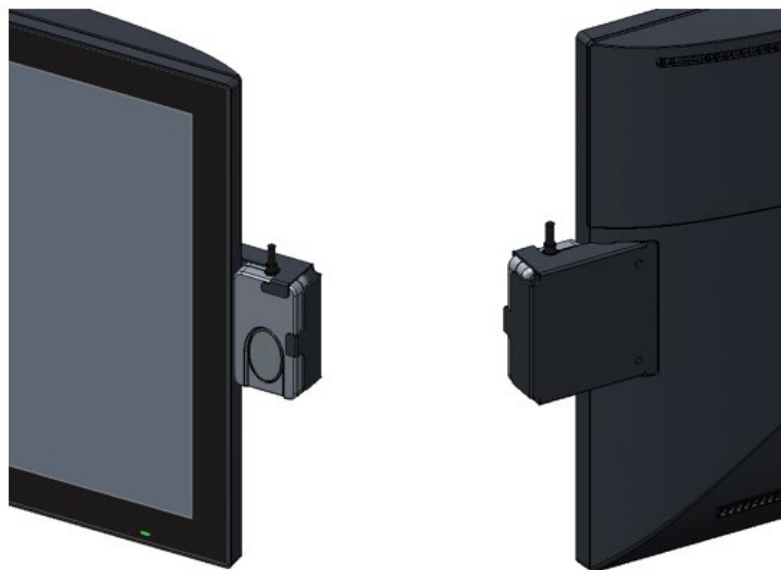
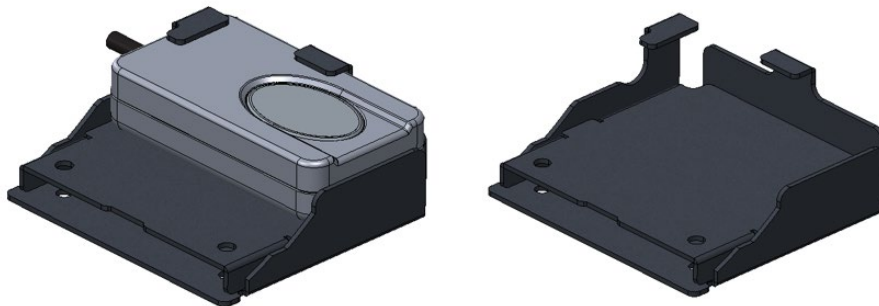


# K8963-700 Installation Instructions

## PAR Wave™ Biometric Reader Mounting Kit

- Remove the MSR cover plate on operators' right side of panel.
- Install Biometric Reader into the K8963-700 bracket.
- Place bracket into area where the MSR cover plate was removed.
- Using the (2) supplied screws, screw Biometric Bracket (K8963-700) to the terminal.
- On the back of the panel, there are (4) USB ports, plug the USB cable from the Biometric Reader into one of those ports.
- Tuck the excess cable into the pedestal through the rectangular opening in the pedestal.



For product information, drivers and documentation visit: <https://support.partech.com/>