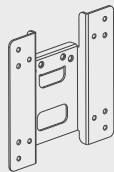


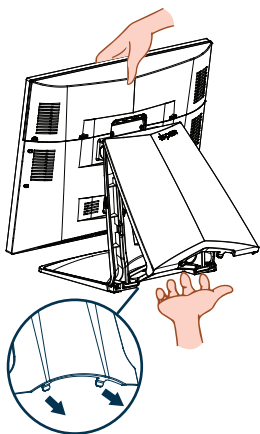
## Inventory Components



VESA Adapter Plate

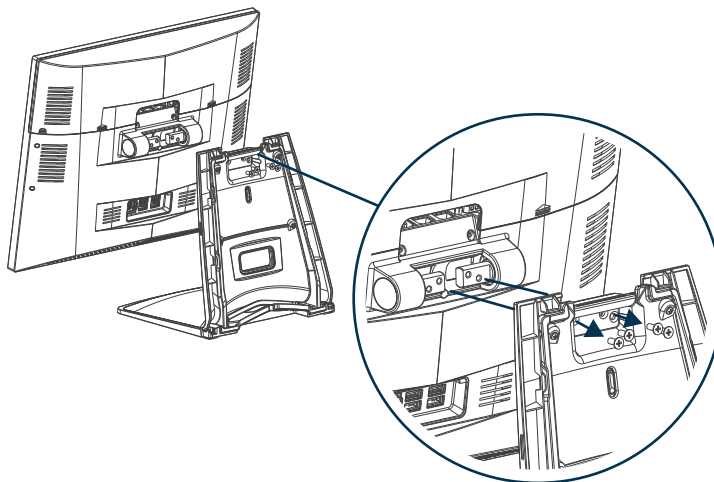
## Installation Notes

- The illustrations are representative of multiple similar models and are to be used for general install guidelines.
- K6151C supersedes K6151B & K6150B. K6150B was only compatible with ES6xx terminals.
- The installation requires a Phillips head screwdriver.



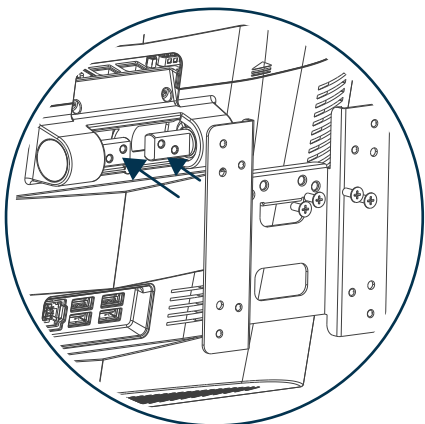
**1**

Remove the stand cover by holding the terminal with one hand and pulling the bottom of the stand cover by the cover hooks.



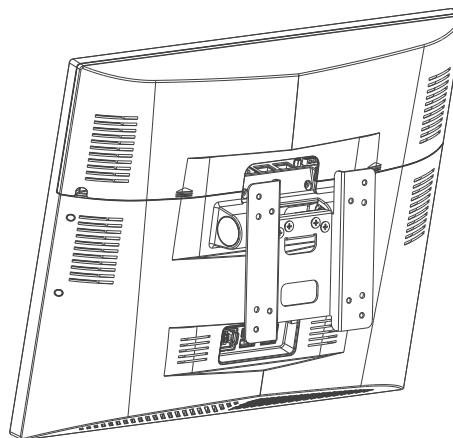
**2**

Remove the four screws that connect the stand to the touch screen. **KEEP THESE SCREWS FOR RE-USE.**  
(Qty. 4, M4x8 flat head machine screws)



**3**

Using the four screws from the stand (Step 2), connect the VESA Adapter Plate to the back of the touch screen.



The terminal is now ready to be wall or pole mounted to a customer-provided mount.