

### Using Tablet Inserts

#### 1 Tablet Insert

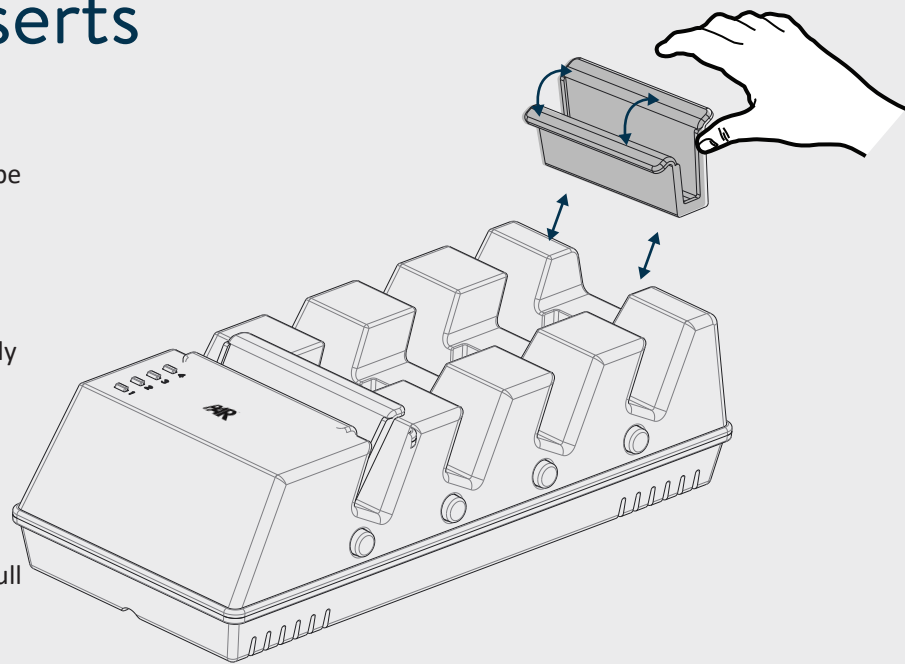
Tablets with out protective cases can be charged on the charger by using the included inserts.

#### 2 Placing Inserts

To place an insert on the charger, simply line up insert holes with charging and locking pins and gently press down.

#### 3 Removing Inserts

Squeeze the top front and back of the insert towards each other and gently pull insert from charger.



### Securing Power Cord

#### 1 Turn over Charger

Turn over the charger so the bottom is facing up.

#### 2 Place Clip on Cable

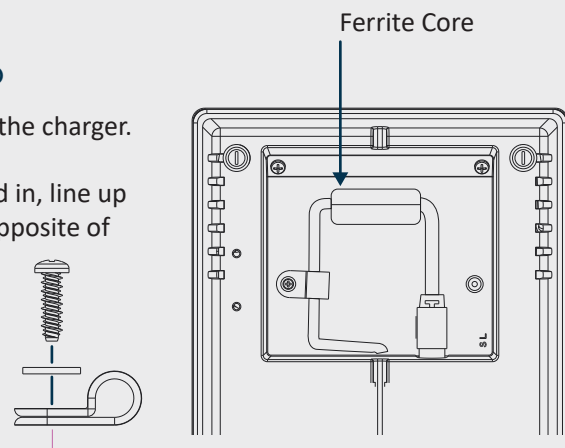
Gently pull the clip apart to allow the cable to fit. Slide the cable into the clip making sure it is between the Power Brick and the Ferrite Core cylinder.

#### 3 Installing the Clip

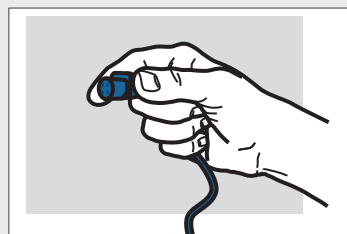
First, plug in the cable to the charger.

Once the cable is plugged in, line up the clip with the insert opposite of the plug.

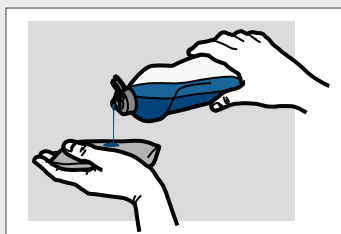
Before securing with washer and screw remove excess slack in the cable.



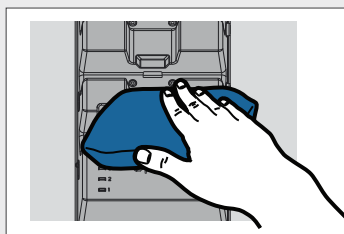
### Cleaning the Tablet Charger **Warning:** Never use abrasive materials to clean the docking Station. Also, avoid ammonia products.



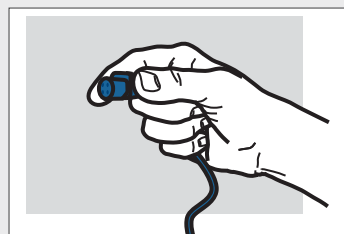
1 Power down and unplug the equipment being cleaned.



2 Dampen a clean towel with carbonated water or glass cleaner.



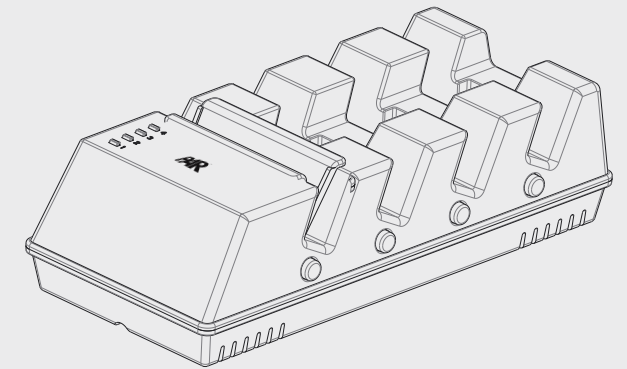
3 Wipe down the Tablet Charger with the damp towel. Never pour or spray cleaner directly in the ports.



4 When finished cleaning, plug-in the equipment and power the unit on.

### Thank You!

Thank you for purchasing the Quad Tablet Charger (QTC). With technology specifically designed for your environment, your success is our passion.



#### 1 Examine the Shipment



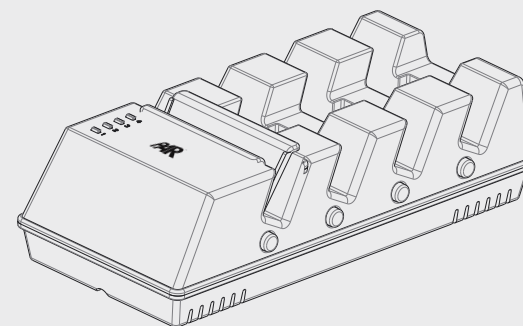
Please ensure all equipment is present.

Report any missing or damaged equipment to your PAR Salesperson or PAR Channel Partner.

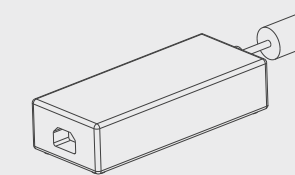


#### 2 Inventory Components

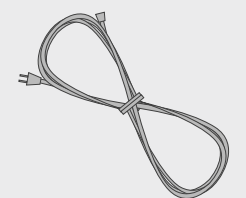
Ensure you have the items listed below in your order.



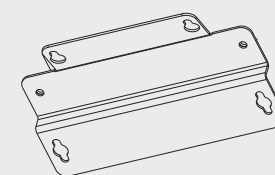
Quad Tablet Charger



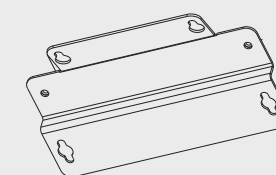
Power Supply



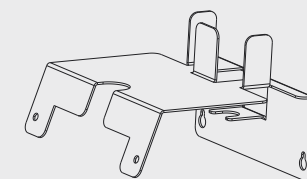
Power Cord  
According to Country  
(Packaged separately)



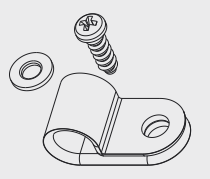
Flush/Angle Wall Mount



Flush/Angle Wall Mount

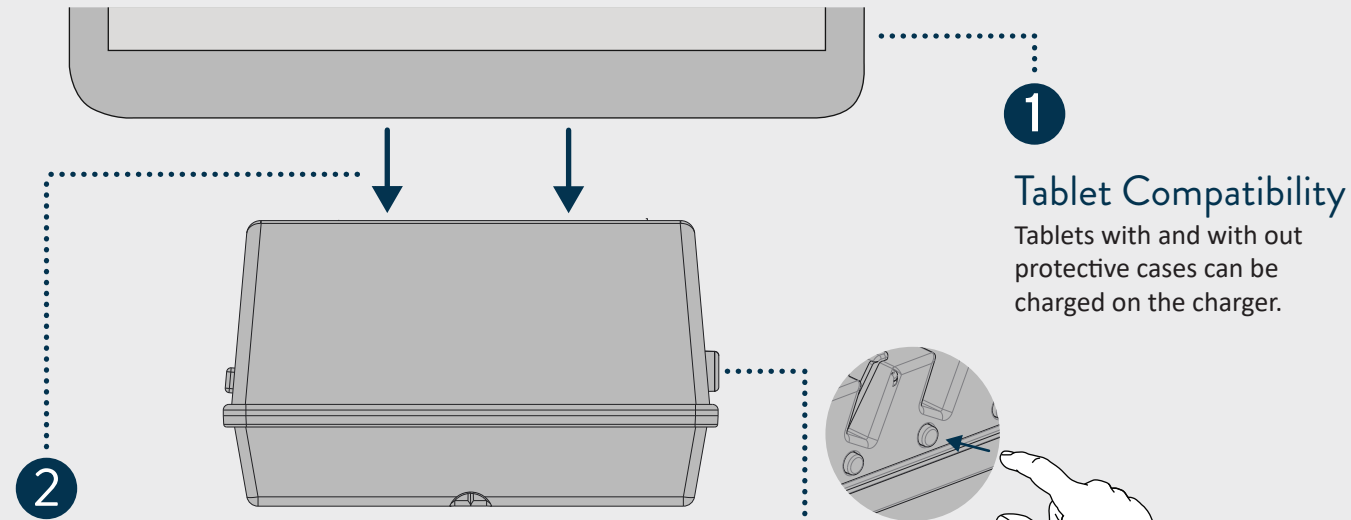


Angle Wall Mount



Power Cord  
Clamp Kit

# Using the Tablet Charger



**1 Tablet Compatibility**  
Tablets with and without protective cases can be charged on the charger.

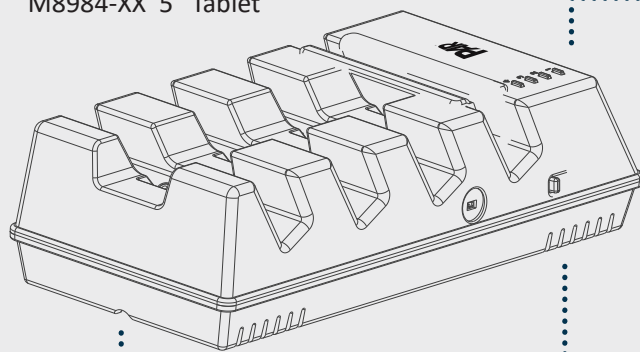
## 2 Connecting a Tablet to the Charger

Line up the guide pins on the charger with the ports on the tablet. Push into place until locked in.

Each charging port has an output rating of 12Vdc/2.5A.

## Supported PAR Tablets

- M8982-XX 8" Tablet
- M8983-XX 10" Tablet
- M8984-XX 5" Tablet

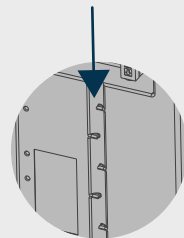


**4 Charge Indicator Lights**  
The 4 corresponding charge indicator lights will be red for not charged and green for fully charged.

**5 Kensington Lock**  
Built in Kensington lock connector for charger and tablet security.

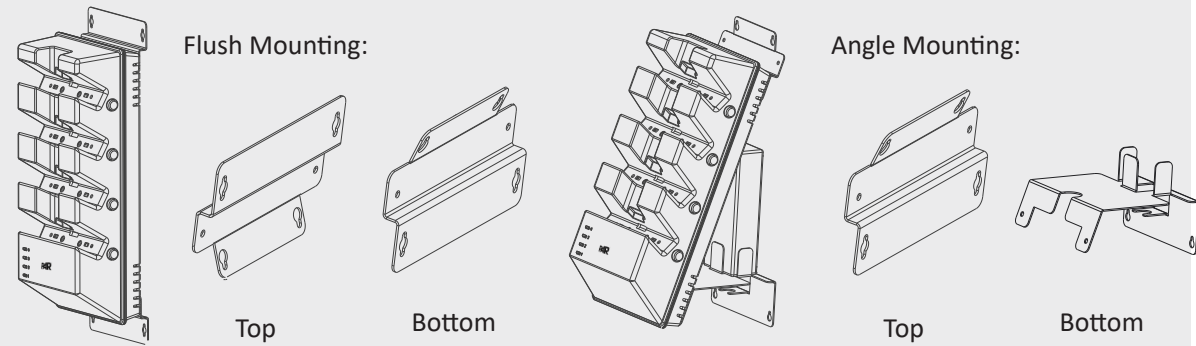
**6 Securing Tablets and Charger**  
Once tablets are connected, slide the lock slide to the locked position. Then insert and lock the Kensington lock to secure tablets and charger.

**7 CABLE WELL**  
For cable management of the power cable. Located on the bottom of the unit.



# Wall Mounting the Charger

**1 Choose Mounting Style**  
The charger can be mounted either flat or at an angle.



**2 Remove Feet**  
The charger has four rubber feet with screws (M4.0 \*L50 mm) that need to be removed and reused for the brackets.

**3 Attach Mounting Brackets**  
Using the screws (M4.0 \*L50 mm) and feet from step 2 attach the corresponding brackets according to your preference.

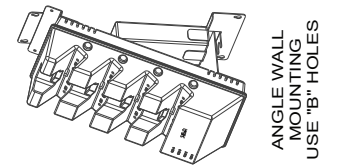
The Angle Mounting option has a retaining system for the power brick.

**4 Preparing Wall for Charger Mounting**  
This document serves as a 1:1 wall mounting template for the charger.

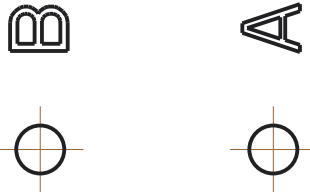
**A** drill holes are to be used for the Flush Mounting option.  
**B** drill holes are to be used for the Angle Mounting option.

**CAUTION:**  
Proper installation procedure by yourself or a qualified service technician must be adhered to. Failure to do so could result in serious personal injury.

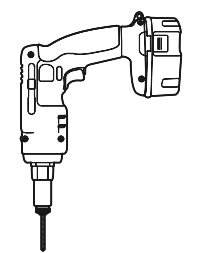
The weight of the charger with tablets is approximately 20 lbs. use proper mounting procedures and hardware with this load capacity in mind.



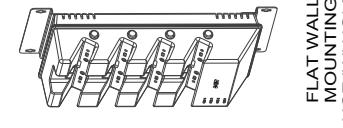
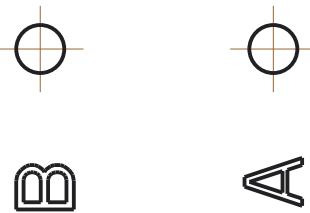
ANGLE WALL MOUNTING USE "B" HOLES



1 : 1 WALL MOUNT TEMPLATE



Tape Here



FLAT WALL MOUNTING USE "A" HOLES

Tape Here  
1 : 1 WALL MOUNT TEMPLATE  
A  
B  
A  
B  
A